

## Printing Requirements

SCY		工 艺 要 求	
品 名	说明书		
尺 寸	A5		
颜 色	单黑印刷		
材 质	封面封底128g铜版纸，内页80g书写纸		
印刷要求	要求印刷清晰，无脏污破损；		
使用位置	放入附件袋		
备 注	/		

此页面不印刷

Do not print this page.

# ***NORMANDE***

---

## **LED TV Operating Instruction**



**MODEL: NTV 3400**

**HDMI**<sup>®</sup>  
HIGH-DEFINITION MULTIMEDIA INTERFACE

Please read this user manual carefully before operating  
and keep it for future reference.



# Table of Contents

<b>Safety warning</b> .....	1
<b>Important Safety Instructions</b> .....	2
<b>Preparation for Your New TV</b> .....	3
Check Accessories .....	3
Stand Installation Guide .....	3
<b>Wall mount specification</b> .....	4
<b>TV Jacks Explanation</b> .....	5
<b>External Device Connection Diagram</b> .....	6
<b>Side Keypad and Front Panel</b> .....	7
Keypad Buttons .....	7
Front Panel .....	7
<b>Remote Control Instructions</b> .....	8
Inserting Batteries in the Remote .....	8
Remote Control Reception Angle .....	8
<b>Learning about Remote Control</b> .....	9
Remote Control Buttons .....	9
<b>Basic Operations</b> .....	10
Turning On and Off .....	10
Select input source .....	10
Adjust the OSD Screen .....	10
<b>OSD Menu Operations</b> .....	11
Menu Setting .....	11
Media Operation .....	12
<b>Troubleshooting</b> .....	13
Identifying Problems .....	13
<b>Specification</b> .....	14
<b>Warnings</b> .....	15

---

*\* The pictures, functions and other information provided in the manual are for reference only. If it does not match the actual object, please refer to the actual product.*

---

# Safety warning



## CAUTION

**RISK OF ELECTRIC SHOCK  
DO NOT OPEN**



Caution: To reduce the risk of electric shock, do not remove cover or back. No user-serviceable parts inside. Refer servicing to qualified service personnel.



The lightning flash with arrowhead symbol, within an equilateral triangle is intended to alert the user to the presence of uninsulated dangerous voltage within the product enclosure that may be of sufficient magnitude to constitute a risk of electric shock.



The exclamation point within an equilateral triangle is intended to alert the user to the presence of important operating and maintenance (servicing) instructions in the literature accompanying the TV.

WARNING: TO REDUCE THE RISK OF FIRE OR ELECTRIC SHOCK, DO NOT EXPOSE THIS APPLIANCE TO RAIN OR MOISTURE.

CAUTION: CHANGES OR MODIFICATIONS NOT EXPRESSLY APPROVED BY THE PARTY RESPONSIBLE FOR COMPLIANCE WITH THE FCC RULES COULD AVOID THE USERS AUTHORITY TO OPERATE THIS EQUIPMENT.

## Safety Warning

Before operating the unit, please read through this manual.

### PLACEMENT

- Do not place the unit on an unstable cart, stand, tripod, bracket, table, or shelf.
- Do not expose the unit to direct sunlight and other sources of heat.
- Do not handle liquids near or on the unit.
- Never spill liquid of any kind into the unit
- Do not put the unit near appliances that create magnetic fields.
- Do not put heavy objects on top of the unit.

### TEMPERATURE

- Do not place the unit near or over a radiator or a heater register.
- If your unit is suddenly moved from a cold to a warm place, unplug the power cord for at least two hours so that moisture that may have formed inside the unit can dry completely.

### HUMIDITY

- Do not expose machine in rain, damp or place near water.
- Ensure the indoor drying, cool.

### VENTILATION

- Keep the ventilation openings clear.

### WARNING (Only applicable to models over 7kg)

Never place a television set in an unstable location. A television set may fall, causing serious personal injury or death. Many injuries, particularly to children, can be avoided by taking simple precautions such as:

- Using cabinets or stands recommended by the manufacturer of the television set.
  - Only using furniture that can safely support the television set.
  - Ensuring the television set is not overhanging the edge of the supporting furniture.
  - Not placing the television set on tall furniture (for example, cupboards or bookcases) without anchoring both the furniture and the television set to a suitable support.
  - Not placing the television set on cloth or other materials that may be located between the television set and supporting furniture.
  - Educating children about the dangers of climbing on furniture to reach the television set or its controls.
- If your existing television set is being retained and relocated, the same considerations as above should be applied.

# Important Safety Instructions

1. Read these instructions.
2. Keep these instructions.
3. Heed all warnings.
4. Follow all instructions.
5. Do not use this apparatus near water. For example, do not use near a laundry tub, in a wet basement, or near a swimming pool, and the like.
6. Clean only with dry cloth.
7. Do not block any ventilation openings. Install in accordance with the manufacturer's instructions. Slots and openings in the cabinet back or bottom are provided for ventilation, to ensure reliable operation of the TV and to protect it from overheating. These openings must not be blocked or covered. The openings should never be blocked by placing the TV on a bed, sofa, rug, or other similar surface.
8. Do not install near any heat sources such as radiators, heat registers, stoves, or other apparatus (including amplifiers) that produce heat.
9. Do not defeat the safety purpose of the polarized or grounding-type plug. A polarized plug has two blades with one wider than the other. A grounding-type plug has two blades and a third grounding prong. The wide blade or the third prong is provided for your safety. If the provided plug does not fit into your outlet, consult an electrician for replacement of the obsolete outlet.
10. Protect the power cord from being walked on or pinched particularly at plugs, convenience receptacles, and the point where they exit from the apparatus.
11. Only use attachments/accessories specified by the manufacturer.
12. Use only with cart, stand, tripod, bracket, or table specified by the manufacturer, or sold with the apparatus. When a cart is used, use caution when moving the cart/apparatus combination to avoid injury from tip-over. A TV and cart combination should be moved with care. Quick stops, excessive force, and uneven surfaces may cause the TV and cart combination to overturn.
13. Unplug this apparatus during lightning storms or when unused for long periods of time. For added protection for this TV receiver during a lightning storm, or when it is left unused for long periods of time, unplug it from the wall outlet and disconnect antenna or cable system. This will prevent damage to the TV due to lightning and power line surges.
14. Refer all servicing to qualified service personnel. Servicing is required when the apparatus has been damaged in any way, such as power-supply cord or plug is damaged, liquid has been spilled or objects have fallen into the apparatus, the apparatus has been exposed to rain or moisture, does not operate normally, or has been dropped.
15. This TV should be operated only from the type of power supply indicated on the rating label. If customer is not sure the type of power supply in your home, consult your appliance dealer or local power company. For TV remote control battery power, refer to the operating instructions.
16. The TV set shall not be exposed to dripping or splashing. No objects filled with liquids, such as vases, shall be placed on the TV set.
17. Never push objects of any kind into this TV through openings as they may touch dangerous voltage or other electrical parts that could result in fire or electric shock. Never spill liquid of any kind into the TV.
18. Unplug the TV from the wall outlet before cleaning. Do not use liquid or aero cleaners. Use a damp cloth for cleaning.
19. This TV should never be placed near or over a radiator or heat resource. This TV should not be placed in a built-in installation such as a bookcase or rack unless proper ventilation is provided or the manufacturer's instructions have been adhered to.
20. Do not place this TV on an unstable cart, stand, tripod, bracket, or table. The TV may fall, causing serious injury to someone, and serious damage to the appliance.
21. Do not attempt to service this TV by yourself because opening or removing covers may expose you to dangerous high voltage or other hazards. Refer all servicing to qualified service personnel.
22. Please do the static electricity prevention and panel protect measures before overhaul, avert damage the panel and main board sensitive element, ex. IC etc.
23. **WARNING:** To prevent injury, this apparatus must be securely attached to the floor/wall in accordance with the installation instructions.



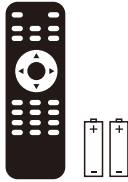
# Preparation for Your New TV

## Check Accessories

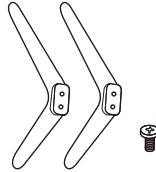
Check the accessories that are packed with your TV.



LED TV



Remote Control & Batteries



TV Stand Base  
+  
4 x Screws



User's manual  
+  
Warranty Card

## Stand Installation Guide

The TV is packaged with the TV stand separated from the cabinet. To setup the TV table stand, please carry out the installation according to the instructions below.

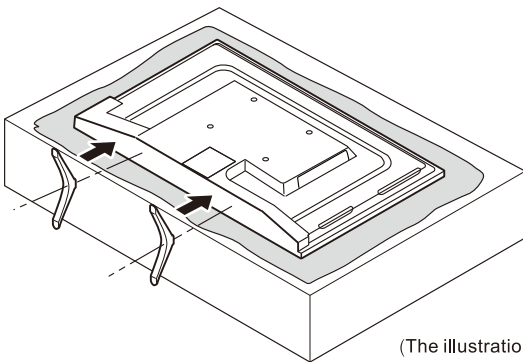
1. The panel can be scratched easily, so please:

Place a soft cloth on the table and place the TV face down on the cloth.

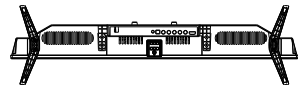
Note: Always unplug the AC cord first when installing/removing the stand.

2. Take the base. Please align the screw holes of the base and the TV, and then insert the screws into the holes on the base and tighten them.

Note: To ensure that the TV is stable, please lock all screws.



Please take note of the base direction:



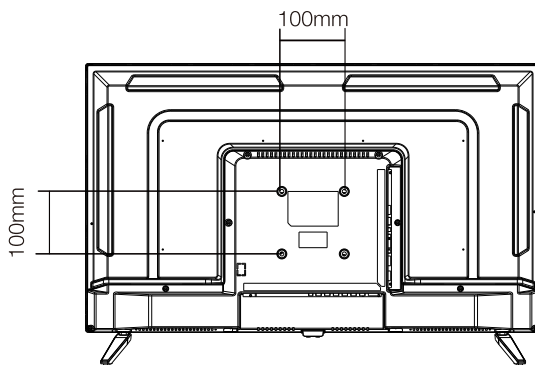
The bottom view of the TV  
(Front cabinet faces down)

(The illustration is for reference only, Please prevail in kind)

## Wall Mounting(if available)

Unit Dimension (unit:mm)	Screws
VESA 100 x 100	M4x6mm, 4pcs

**Note:** The length of the screw specified is only a recommendation; actual length required can vary depending on the type of wall mount used.

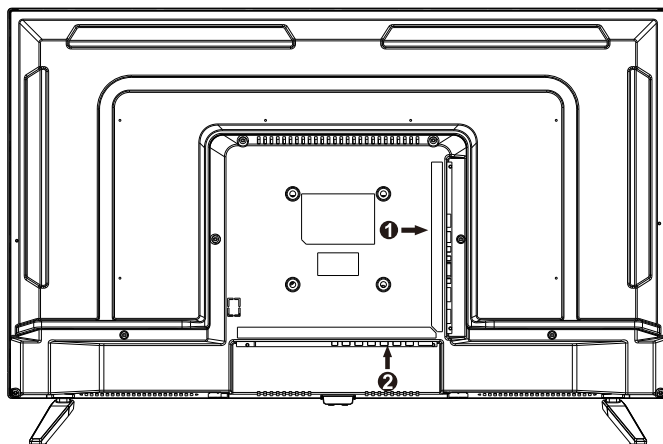


### Warnings:

1. Do not set up the wall mount by yourself. Please contact qualified professionals for installation.
2. The TV should not be mounted on walls or surfaces which have an angle more than 10 degrees with vertical direction. Otherwise the TV set may fall.
3. The walls for mounting must have enough strength to hold the whole weight of TV set. For example, concrete wall and brickwork are eligible. Do not place the mount on soft walls such as earth walls and plasterboard.
4. If spare parts of different specifications (such as screws) are used during mounting, consult with qualified professionals to make sure these parts are safe and effective.
5. Before attaching the base to wall, ensure the holes for anchors are in keeping with the installing rules. Otherwise there may exist some potential problems.
6. Do not place any heating source under your television. Or else, it can cause fire.
7. Do not place the TV near anything dripping. Transducers and high voltage wires should be kept far away from the apparatus too. Or else, it may cause creepage, electric shock or bad resonance.
8. Do not place TV in a location where collision or vibration is liable to happen.
9. In order to avoid unexpected falling of the TV set, do not put any strong force on TV or wall mount after installing.
10. Be sure to unplug the TV before installing. Keep anything hard or sharp away from the screen panel to prevent the scuffing.
11. After installing, if there is any need to move the cabinet, please contact the qualified professionals.



# TV Jacks Explanation



①	Y	Pb	Pr	CVBS	L	R	USB2	USB1	EARPHONE
②	COAX	HDMI1/ARC	HDMI2	VGA	PC	AUDIO	IN	RF	

**COAX:** Digital TV sound output.

**HDMI:** (High-Definition Multimedia Interface) Provides an uncompressed digital connection.

**VGA:** Connect the PC to these jacks.

**PC AUDIO IN:** Connect the audio output of the PC.

**RF:** Connect to receive the signal from your antenna or cable through a coaxial cable.

**YPbPr:** Connect the YPbPr output jack of the DVD or VCR.

**CVBS IN:** Connect an AV device that has composite video jacks, such as a VCR or DVD Player.

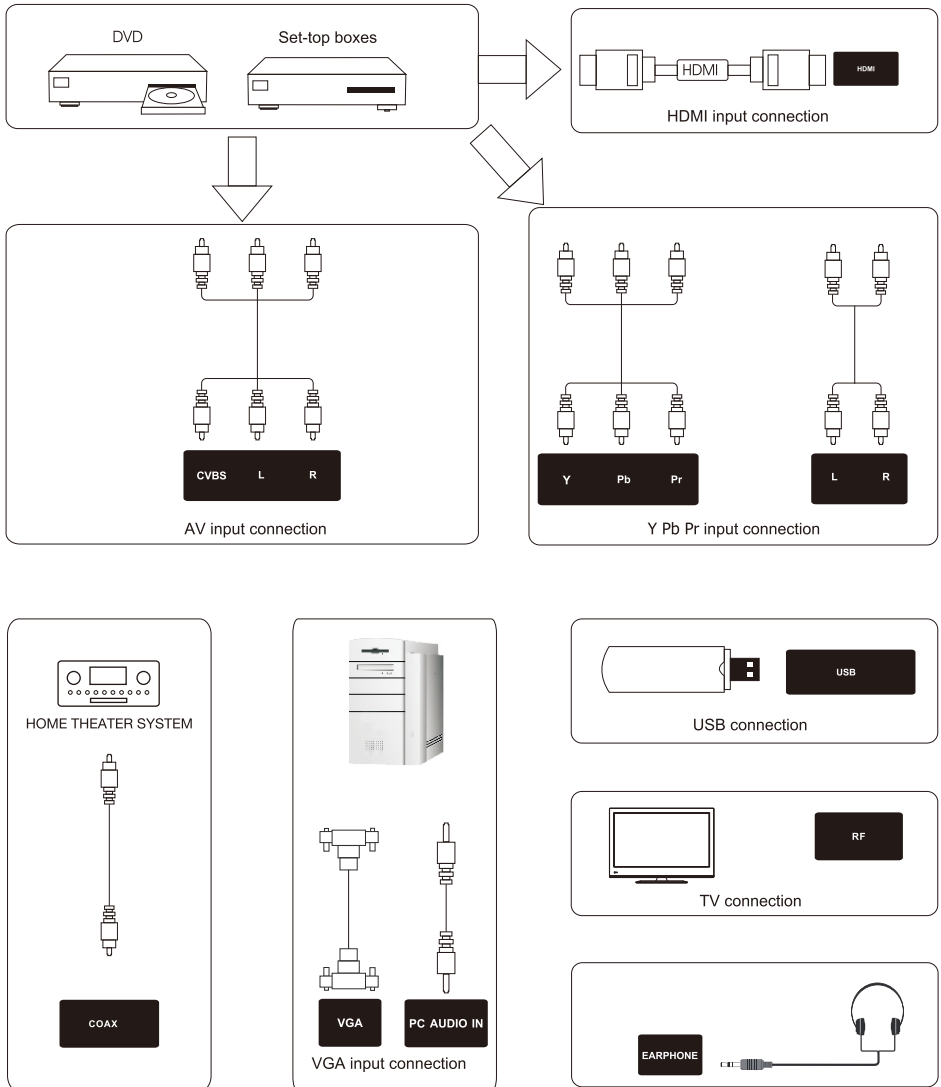
**L:** Left audio channel connection. The left audio connector is usually white.

**R:** Right audio channel connection. The right audio connector is usually red.

**USB:** Connect the USB device such as the flash disk to access the TV media function.

**EARPHONE:** Connect a 3.5mm headset for personal audio.

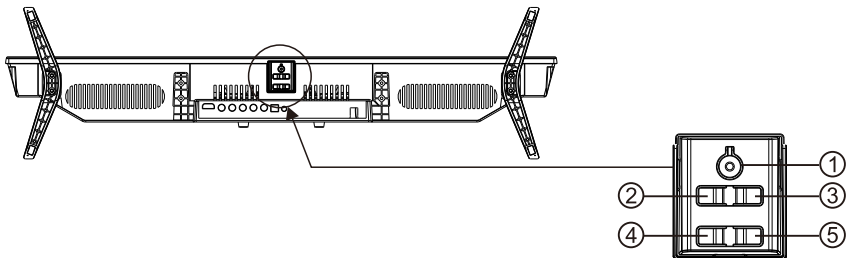
# External Device Connection Diagram



# Side Keypad and Front Panel

## Keypad Buttons

If you cannot locate your remote, you can use the side keypad buttons on your TV to operate many TV features.



1. **POWER (⏻)/OK:** In the off mode, Short press to turn on the TV. In the on mode, Short press to achieve OK function, long press to achieve POWER function.

**POWER (⏻):** Turns the TV on and off.

**OK:** Enter and confirm.

2. **VOL-:** Decreases the volume. In the TV menu system, it acts like the left arrow on the remote control and can be used to select menu options.

3. **VOL+:** Increases the volume. In the TV menu system, it acts like the right arrow on the remote control and can be used to select menu options.

4. **MENU/CH-:** Short press to achieve CH- function, long press to achieve MENU function.

**MENU:** Displays the TV Main Menu.

**CH-:** Scans down through the channel list. In the TV menu system, it acts like the down arrow on the remote control and can be used to select menu options.

5. **INPUT/CH+:** Short press to achieve CH+ function, long press to achieve INPUT function.

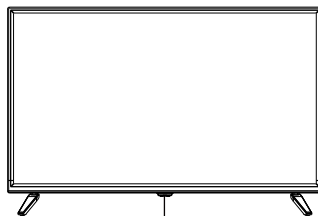
**INPUT:** Displays the Source Select List.

**CH+:** Scans up through the channel list. In the TV menu system, it acts like the up arrow on the remote control and can be used to select menu options.

## Front Panel

**Power/Standby Indicator:** Blue and red dual-color LED. It shows red when the TV is turned off and blue when turned on.

**Remote Control Sensor:** Remote control IR sensor, which receives infrared ray sent by remote control.



Power/Standby Indicator  
Remote Control Sensor

**NOTE:** If there is a protective film around the screen, remove the protective film before using the TV.

# Remote Control Instructions

## Inserting Batteries in the Remote

1. Remove the battery compartment cover from the back of the remote control by lifting the cover.
2. Insert 2AAA batteries ,making sure the polarities(+and-) are aligned correctly.
3. Replace the cover.

### If the remote control does not work, check these points:

- Are the polarities (+, -) correct?
- Are the batteries worn out?
- Is there an AC power failure?
- Is the power cord plugged in?
- Is there any interference or block near the remote control sensor?

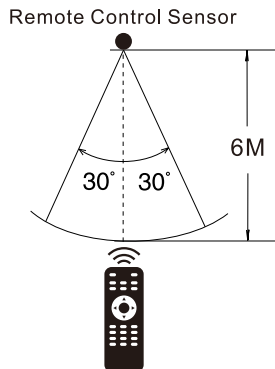
### CAUTION:

- Used batteries should be recycled.
- Keep out of children's reach.
- DO NOT use new and old batteries together.
- Change both the batteries at the same time.
- When not using the remote control for a long time, remove the batteries from the unit.

**Warning:** All batteries (packed or in use) must not be exposed to high temperature like sun heat or fire.

## Remote Control Reception Angle

Use your remote control within the distance and angle range shown below.



# Learning about Remote Control



## Remote Control Buttons

**POWER** (⏻): Turns the TV on or off.

**MUTE** (🔇): Reduces the TV volume to its minimum level. Press again to restore the volume.

**NUMBER BUTTONS**: Press 0-9 select a TV channel directly when you are watching TV.

**“-/--”**: To switch the channel digit.

**Recall** (↶): Returns to the previous channel.

**VOL+ or VOL-**: Increases or decreases the TV volume.

**SLEEP**: Selects the sleep timer, after which the TV will shut off automatically.

**ASPECT**: Switches between the preset screen size mode.

**CH+ or CH-**: Scans up or down through the current channel list. Press once to change the channel up or down; press and hold to continue changing channels.

**FAV**: Adds the current channel to your favorite list, or erases the current channel from your favorite list (if this channel is a favorite channel already).

**SUB-T**: Display caption information.

**AUDIO**: Switch the audio channel in DVD or multimedia mode.

**INPUT**: Press to select signal source.

**INFO**: Press to display the current program information on the screen.

**Arrows** (◀/▶/▲/▼): Uses the four arrows to highlight different items in the TV menu or change the value.

**OK**: Enter and confirm button.

**MENU**: Accesses the Main Menu, or return to the upper level of a sub-menu.

**EXIT**: Exits the current menu or function.

**REPEAT**: Select repeating modes.

**FREEZE**: Freeze the current screen frame, press again to return to normal.

**▶||**: Play or pause media files.

**■**: Stop playing media files.

**◀◀/▶▶**: Fast review and fast forward.

**◀◀/▶▶**: Select the previous or the next media file.


**RED/GREEN/YELLOW/BLUE**: Use add-on functions in OSD menu.

## NOTE:

- ◆ All pictures in this manual are examples, only for reference, actual product may differ from the pictures.
- ◆ The buttons not mentioned here are not used.

# Basic Operations

## Turning On and Off

Connect the AC cord to power the TV. At this time the TV will enter standby mode and power indicator will turn red. Use Power button(  ) on the side panel of TV or on the remote control to turn on the TV. After switching off the TV for 5 seconds, you can turn on TV again.

## Select input source



Press INPUT button to display the input source list;  
Press ▲/▼ button to select the input source you want to watch;  
Press OK button to enter the input source;

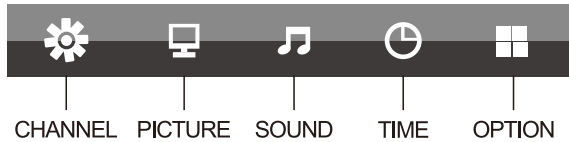
## Adjust the OSD Screen

- Press MENU button to display the MAIN OSD MENU;
- Press ◀/▶ button to select the MENU you want;
- Press ▲/▼ button to select the option and then press OK button to enter the submenu, press ◀/▶ button to adjust the value or enter the submenu to set the function.

You can press MENU button to save and return back to the previous menu, and press EXIT button to exit the entire menu.

# OSD Menu Operations

## Menu Setting



Press **MENU** button to display the MAIN OSD MENU:

**Channel:** Used for channel searching and edit, it's only available in TV input.

You can choose to automatically search, or choose to manually search according to your needs.

**Picture:** Used for TV picture effect adjusting.

For example: Picture mode, colour temperature and so on.

**Sound:** Used for TV sound effect adjusting.

For example: Sound mode, Balance and so on.

**Time:** Used for TV time effect adjusting.

For example: OSD Time, Sleep Time and so on.

**Option:** Used for TV additional options.

For example: OSD Language, Reset and so on.

*For more settings, please refer to the menu settings.*

# OSD Menu Operations

## Media Operation

Note: Before operation MEDIA menu, Plug in USB device or memory card.

Press ▲/▼ button to select MEDIA in the source menu, and then press "OK" button to enter. You can browse multimedia files by selecting PHOTO, MUSIC, MOVIE or TEXT. Then press the "▶▶" button to start playing.



1. Press ◀/▶ button to select the option that you want to adjust in the Media menu, then press OK button to enter.
2. Press ◀/▶ button to adjust or press ▲/▼ button to select.
3. After finishing your adjustment, press MENU button to save and return back to the previous menu and press EXIT button to exit the entire menu.



# Troubleshooting

## Identifying Problems

If there are any problems when using the product, please consult the list below. If the list does not solve the problem, call our Customer Service Center immediately.

### TV Problems

The TV can't be turned on.

- Make sure the AC cord is plugged in.
- Check the wall outlet, make sure the AC output works normally and stably.
- Select the Key Lock function in the OPTION Menu and press **OK** to uncheck the locking status.

### No picture or sound but the TV is on and there is a "No Signal" sign on screen.

- Are you trying to use an input source with no device connected to it? For using other video/audio device, make sure the external device works normally first, then press **Source** and choose the right input source.
- The signal type option may be set incorrectly.
- The channel may be blank. Try to search the channel again or change another channel.

### The sound is fine, but the picture is poor.

- If you can only get black and white pictures from external device that you've connected to your TV, maybe it is due to the video cables is not connected well, or they are connected wrongly. Check the connection stability first, then check the correctness.
- For AV input, the yellow video cable connects to the yellow Video In jack on the side of your TV. For Component input, the three Y, Pb, Pr video cables (red, blue, and green) should be connect to the corresponding input jacks on the side of your TV.
- Check the antenna connections. Make sure all of the cables are firmly connected to the TV jack on side of your TV.
- Try adjusting the color features to improve.

### There is no sound, but the picture is fine.

- The sound might be muted. Try pressing the MUTE button to restore sound.
- For using AV or Component, remember to connect the device's left and right audio output correctly. The left channel cable is white and the right channel cable is red. Please match the cables and jacks according to their colors.
- The sound settings may not be set correctly.
- If your audio source has only one jack or is a (mono) audio source, make sure you have plugged the connection into the Audio In L jack (white) on the TV.

### The buttons on the side panel don't work.

- Unplug the TV from the AC power for 10 minutes and then plug it back. Turn the TV on and try again.

### The TV turns off unexpectedly.

- The electronic protection circuit may have been activated because of a power surge. Wait 30 seconds and then turn the TV on again. If this happens frequently, the voltage in your house may be abnormal. If the other electronic equipment in your home can't work normally, consult a qualified service personnel.

### The Remote control doesn't work.

- Something might be blocking between the remote control and the remote sensor on the front panel of the TV. Make sure there is a clear path.
- The remote may not be aimed directly at the TV.
- The batteries in the remote may be weak, dead, or installed incorrectly. Put new batteries in the remote.

# SPECIFICATIONS

## Product Specifications

Model:	NTV 3400
Video:	avi , MPEG
Music:	mp3 , AAC
Photo:	jpg , jpeg, bmp, png
Screen resolution:	1366x768
Working voltage:	100-240V ~ 50/60Hz
Rated power consumption:	55W





פרטי המוצר

NTV 3400	מודל
Avi . MPEG	וידיו
Mp3 .AAC	מוסיקה
Jpg.jpeg.bmp.png	תמונה
1366x768	רזולוציית מסך
100-240V~50/60Hz	מתח עבודה
55W	צריכת חשמל מדורגת

### הודעה מיוחדת

המידע שלעיל נבדק; החברה שומרת על הזכות לפרש טעויות דפוס או חוסר הבנה לגבי התוכן. כל שיפור טכנולוגי יתווסף לחוברת ההוראות החדשה ללא הודעה מראש. המראה של המוצר וצבעו מתייחסים למוצר עצמו.

## זיהוי בעיות

במידה ואתם נתקלים בבעיות בעת השימוש במוצר, אנא היוועצו ברשימה שלהלן. במידה ורשימה זו אינה פותרת את הבעיה, צרו מיד קשר עם מרכז שירות הלקוחות.

## בעיות בטלוויזיה

לא ניתן להפעיל את הטלוויזיה

• וודאו כי כבל ה-AC מחובר למקום.

• בדקו את שקע החשמל בקיר, וודאו כי יציאת ה-AC פועלת בצורה תקינה ויציבה.

• בחרו בפונקציית נעילת המקשים בתפריט OPTION ולחצו על לחצן OK לביטול סימון מצב הנעילה.

## אין תמונה או קול אולם הטלוויזיה דלוקה ומופיע סימן של "אין אות" על גבי המסך.

• האם אתם מנסים לעשות שימוש במקור קלט ללא מכשיר מחובר אליו? לשימוש במכשיר וידיאו/אודיו אחר, וודאו ראשית כי הרכיב החיצוני פועל בצורה תקינה, לאחר מכן לחצו על SOURCE ובחרו במקור הקלט הנכון.

• יתכן ואפשרות סוג האות אינה מוגדרת כנדרש.

• הערוץ עשוי להיות ריק. נסו לחפש שוב את הערוץ או להחליף לערוץ אחר.

## הקול בסדר אולם התמונה גרועה.

• במידה ואתם מצליחים לקלוט תמונות בשחור לבן בלבד מתוך רכיב חיצוני אליו חיברתם את הטלוויזיה שלכם, יתכן והדבר נובע כתוצאה מכך שכבלי הווידיאו אינם מחוברים כנדרש, או שהם מחוברים בצורה לא נכונה. בדקו ראשית את יציבות החיבור ולאחר מכן את התקינות שלהם.

• עבור כניסת AV, כבל הווידיאו הצהוב מתחבר לשקע כניסת הווידיאו הצהוב שבצד הטלוויזיה שלכם.

עבור כניסת רכיב, יש לחבר את שלושת כבלי הווידיאו Pr, Yb, Y (אדום, כחול וירוק) לשקעי הכניסה התואמים שבצד הטלוויזיה שלכם.

• בדקו את חיבורי האנטנה. וודאו כי כל הכבלים מחוברים לשקע הטלוויזיה שבצד הטלוויזיה שלכם. נסו לכוון את מאפייני הצבע לשיפור.

## אין קול אולם התמונה ברורה.

• יתכן והקול במצב השתק. נסו ללחוץ על לחצן MUTE להחזרת הקול.

• לשימוש ב-AV או ברכיב, זכרו לחבר את היציאה השמאלית והימנית של הרכיב כנדרש. כבל הערוץ השמאלי לבן וכבל הערוץ הימני אדום. אנא התאימו את הכבלים ואת השקעים בהתאם לצבעים שלהם. יתכן והגדרות הקול אינן מוגדרות כנדרש.

• במידה ולמקור השמע שלכם יש שקע אחד בלבד או שהוא הינו מקור שמע (מונו), וודאו כי חיברתם את החיבור לשקע כניסת שמע L (לבן) בטלוויזיה.

## הלחצנים שבלוח הצדדי אינם פועלים.

• נתקו את הטלוויזיה מספק ה-AC במשך 10 דקות ולאחר מכן חברו אותו בשנית. הפעילו את הטלוויזיה ונסו בשנית.

## הטלוויזיה נכבית באופן בלתי צפוי.

• יתכן ומעגל ההגנה החשמלי הופעל בשל קצר בחשמל. המתינו 30 שניות ולאחר מכן הפעילו את הטלוויזיה בשנית. במידה והדבר קורה לעתים קרובות, יתכן והמתח החשמלי בביתכם אינו תקין. במידה וציוד חשמלי אחר בביתכם אינו פועל בצורה תקינה, היוועצו עם צוות שירות מוסמך.

## השלט הרחוק אינו פועל.

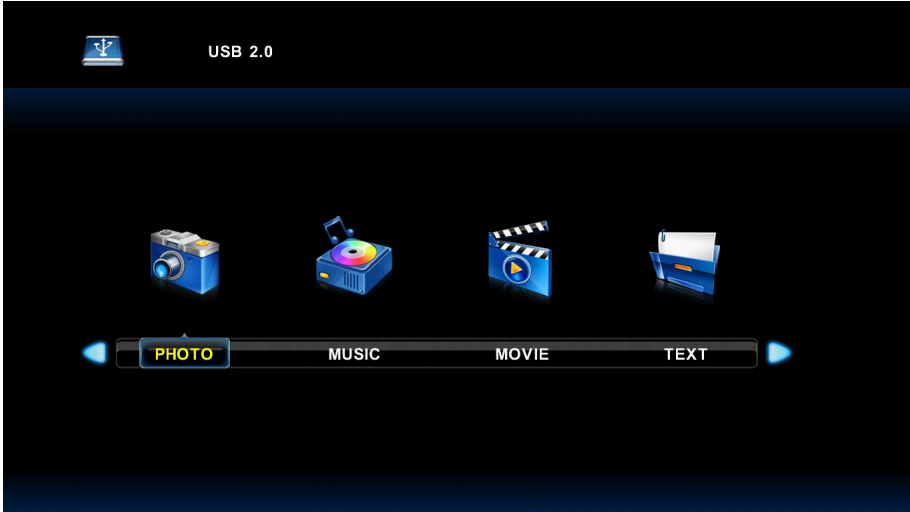
• יתכן ומשהו חוסם בין השלט הרחוק לבין החיישן המרוחק שבלוח הקדמי של הטלוויזיה. וודאו כי הנתיב אינו חסום.

• יתכן והשלט הרחוק מכוון ישירות לטלוויזיה.

• יתכן והסוללות בשלט הרחוק חלשות, ריקות, או מותקנות שלא כהלכה. הכניסו סוללות חדשות לתוך השלט הרחוק.

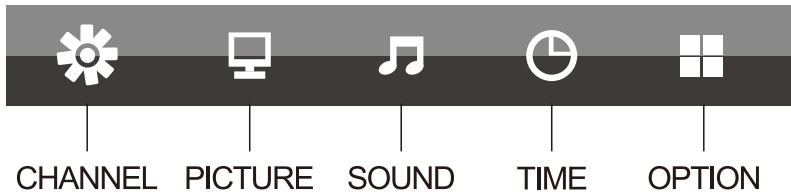
פעולת מדיה

שימו לב: טרם הפעלת תפריט המדיה, חברו את רכיב ה-USB או את כרטיס הזיכרון. לחצו על לחצן ▼/▲ לבחירה במדיה מתוך תפריט המקור, ולאחר מכן לחצו על לחצן "OK" לאישור. באפשרותכם לעיין בקבצי מולטימדיה באמצעות בחירה באפשרות של תמונה, מוסיקה, סרט או טקסט. לאחר מכן לחצו על לחצן "▶" לתחילת הנגינה.



1. לחצו על לחצן ◀/▶ לבחירה באפשרות שאתם רוצים לכוונן בתפריט המדיה, לאחר מכן לחצו על לחצן OK לאישור.
2. לחצו על לחצן ◀/▶ לכוונן או לחצו על לחצן ▼/▲ לבחירה.
3. לאחר סיום הכוונן שלכם, לחצו על לחצן MENU לשמירה ולחזרה לתפריט הקודם ולחצו על לחצן EXIT ליציאה מהתפריט כולו.

הגדרת תפריט



לחצו על לחצן MENU להצגת תפריט ה- OSD הראשי.

**ערוץ (CHANNEL):** בשימוש לחיפוש ולעריכת ערוץ, פונקציה זמינה בכניסת הטלוויזיה בלבד.

באפשרותכם לבחור בחיפוש אוטומטי, או בחרו בחיפוש ידני בהתאם לצרכים שלכם.

**תמונה (PICTURE):** בשימוש לכוונן אפקט התמונה של הטלוויזיה. לדוגמא: מצב תמונה, טמפרטורת צבע וכן הלאה.

**קול (SOUND):** בשימוש לכוונן אפקט הקול של הטלוויזיה. לדוגמא: מצב קול, Balance וכן הלאה.

**זמן (TIME):** בשימוש לכוונן אפקט של זמן הטלוויזיה. לדוגמא: טיימר OSD, טיימר שינה וכן הלאה.

**אפשרות (OPTION):** בשימוש עבור אפשרויות נוספות בטלוויזיה. לדוגמא: שפת OSD, איפוס וכן הלאה.

להגדרות נוספות, אנא עיינו בהגדרות התפריט.



## הפעלה וכיבוי

חברו את כבל ה-AC להפעלת הטלוויזיה. בשלב זה הטלוויזיה תיכנס למצב הכן ונורית החיווי תהפוך לצבע אדום. השתמשו בלחצן POWER (⏻) שבלוח הצדדי או בשלט הרחוק להפעלת הטלוויזיה. לאחר כיבוי הטלוויזיה במשך 5 שניות, תוכלו להפעיל שוב את הטלוויזיה.

## בחרו במקור הקלט

Input Source
TV
AV
YPbPr
HDMI1
HDMI2
PC
Media1
Media2
ENTER Enter

לחצו על לחצן **INPUT** להצגת רשימת מקורות הקלט.  
 לחצו על לחצן ▲/▼ לבחירה במקור הקלט שברצונכם לצפות בו.  
 לחצו על לחצן **OK** להזנת מקור הקלט.

## כוונן מסך ה-OSD

- לחצו על לחצן **MENU** להצגת תפריט ה-OSD הראשי.
- לחצו על לחצן ◀/▶ לבחירה בתפריט שאתם רוצים.
- לחצו על לחצן **OK** לכניסה לתפריט המשנה, ולחצו על לחצן **MENU** לחזרה לתפריט הקודם.
- לחצו על לחצן ▲/▼ לבחירה באפשרות ולאחר מכן לחצו על לחצן **OK** לכניסה לתפריט המשנה, לחצו על לחצן ▲/▼ לכוונן הערך או לחצו על לחצן ◀/▶ לבחירה בתפריט המשנה.

באפשרותכם ללחוץ על לחצן **MENU** לשמירה ולחזרה לתפריט הקודם, ולחצו על לחצן **EXIT** ליציאה מהתפריט כולו.

- (1) POWER: למעבר בין מצב פעולה ומצב המתנה
- (2) MUTE: כיבוי/הפעלה שמע
- (3) 0-9: לחצו לבחירת ערוץ
- (4) +/-: לחצן הגדרת מספר ערוץ
- (5) ⏪: מעבר לערוץ שנצפה אחרון
- (6) VOL+/-: כיוון עצמת השמע
- (7) SLEEP: טיימר לכיבוי אוטומטי
- (8) ASPECT: כיוון יחס התמונה
- (9) CH+/-: שינוי ערוץ
- (10) FAV: הוספת הערוץ הנוכחי לרשימת המועדפים או מחיקת הערוץ הנוכחי מרשימת המועדפים (אם הערוץ מופיע ברשימת המועדפים)
- (11) SUB-T: לבחירת תצוגת כתוביות בקבצי
- (12) AUDIO: מציג את פורמט השמע או לחץ שוב ושוב לבחירת מצב השמע
- (13) INPUT: כניסה לערוצי התחברות זמינים (AV, TV, PC, YPbPr, 2/1 מדיה).
- (14) INFO: הצגת כותרת מידע
- (15) OK: אישור בחירה
- (16) ⏴ / ⏵: ניווט בתפריט
- (17) MENU: הצגת התפריט הראשי
- (18) EXIT: יציאה מתפריט המסך
- (19) REPEAT: בחירת שיטת החזרה
- (20) FREEZE: הקפאת המסך
- (21) ⏮ / ⏭: הפעלה/השהייה של קובץ מדיה
- (22) ■: עצירה של קובץ מדיה
- (23) ⏪ / ⏩: הרצה של קובץ מדיה
- (24) ⏴ / ⏵: מעבר בין קבצי מדיה
- (25) ① אדום / ② ירוק / ③ צהוב / ④ כחול: שימוש באפשרויות נוספות מתפריט המסך.



#### שימו לב:

- כל האזורים המופיעים במדריך זה הן דוגמאות בלבד ומיועדות לעיון בלבד, המוצר בפועל עשוי להיות שונה ממה שמתואר באזורים.
- הלחצנים שלא מוזכרים כאן אינם בשימוש.

**הכנסת סוללות לתוך השלט הרחוק**

1. הוציאו את מכסה תא הסוללות מהחלק האחורי של השלט הרחוק באמצעות הרמת המכסה.
2. הכניסו 2 סוללות AAA, תוך שאתם מוודאים כי הקוטביות (+ וגם -) במקומן הנכון.
3. החזירו את המכסה למקומו.

**אזהרות:**

- יש למחזר סוללות משומשות.
- הרחיקו מהישג ידם של ילדים.
- אין לעשות שימוש בסוללות חדשות וישנות יחד.
- החליפו את שתי הסוללות במקביל.
- כאשר לא נעשה שימוש בשלט הרחוק למשך פרק זמן ארוך, הוציאו את הסוללות מהיחידה.

**במידה והשלט הרחוק אינו פועל, בדקו את הנקודות הבאות:**

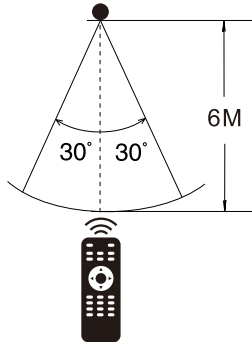
- האם הקוטביות (+, -) ממוקמות נכון?
- האם הסוללות ריקות?
- האם קיימת תקלה בספק ה-AC?
- האם כבל החשמל מחובר כנדרש לשקע החשמל?
- האם ישנה הפרעה או חסימה בקרבת חיישן השלט הרחוק?

**אזהרה: אין לחשוף את הסוללות (הארזות או אלו שבשימוש) לטמפרטורה גבוהה כגון חום של השמש או אש.**

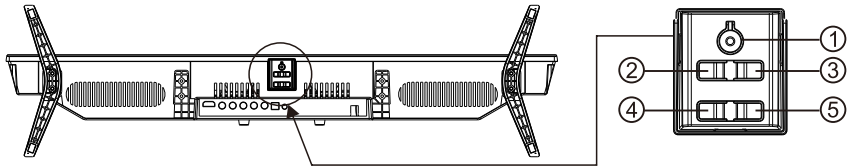
**זווית קליטה של השלט הרחוק**

השתמשו בשלט הרחוק שלכם בטווח המרחק והזווית המוצגים להלן.

חיישן (קולט) השלט הרחוק

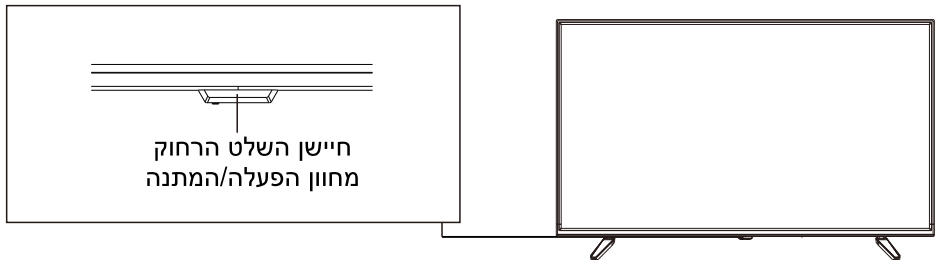


### לחצני הפאנל הצדדי



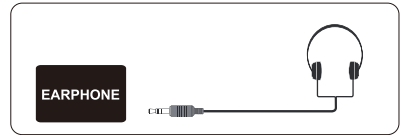
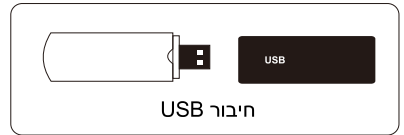
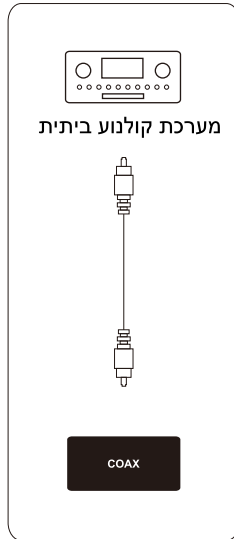
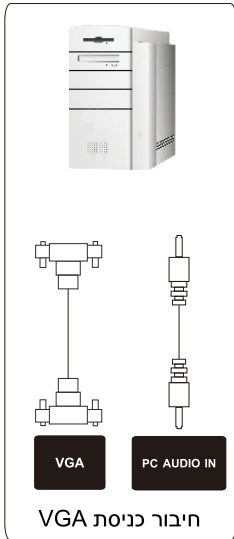
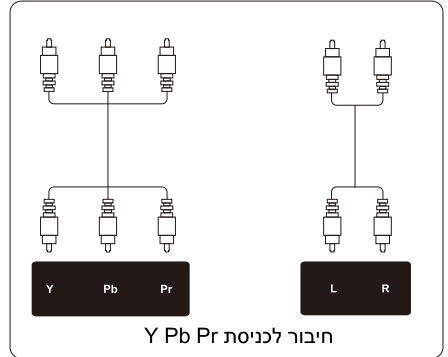
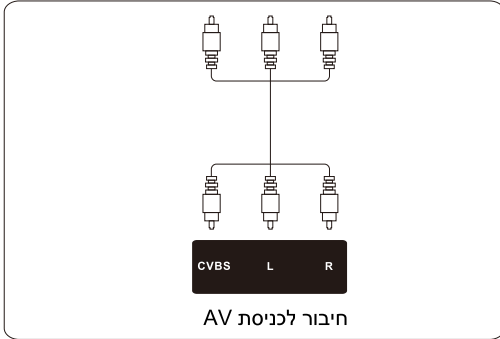
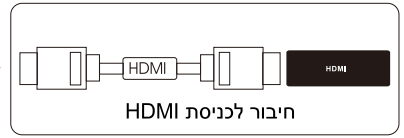
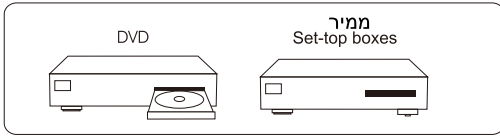
1. **POWER (⏻) / OK**: במצב כבוי, לחץ לחיצה קצרה כדי להפעיל את הטלוויזיה במצבמופעל, לחץ לחיצה קצרה כדי להשיג אישור, פונקציה, לחיצה ארוכה כדי להשיג פונקציית **POWER**.  
**POWER (⏻)**: הדלקה וכיבוי הטלוויזיה.  
**OK**: הזן ואשר.
2. **-VOL**: לחיצה תאפשר הנמכת קול הטלוויזיה. את אותה הפעולה ניתן לבצע גם בשלט באמצעות החץ השמאלי
3. **+VOL**: לחיצה תאפשר הנמכת קול הטלוויזיה. את אותה הפעולה ניתן לבצע גם בשלט באמצעות החץ הימני
4. **MENU/CH-**: בלחיצה קצרה על **CH-** תוכל לעבור לערוץ נמוך יותר, בלחיצה ארוכה תגיע לתפריט במסך הראשי של הטלוויזיה.
5. **INPUT / CH+**: לחיצה קצרה על **CH+** תוכל לעבור לערוץ גבוה יותר, לחיצה ארוכה תאפשר לך להגיע ל-**INPUT** אשר יאפשר לך לבחור את המקור.

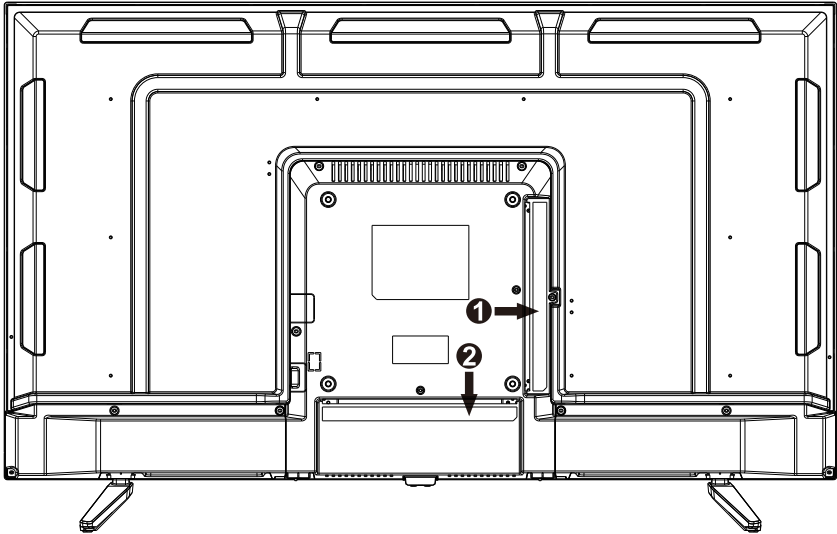
### פאנל קדמי



### מחוון הפעלה/המתנה

מחוון מתח: דולק באדום כאשר הטלוויזיה במצב המתנה. דולק בכחול כשהטלוויזיה פועלת. חיישן השלט הרחוק: קולט אותות IR מהשלט. (אל תציבו דברים מעל החיישן, אחרת החיישן לא יפעל כראוי).  
**הערה:** אם יש סרט מגן מסביב למסך הטלוויזיה, הסר את הסרט המגן לפני השימוש בטלוויזיה.





1

Y Pb Pr CVBS L R USB2  
USB1 EARPHONE

2

COAX HDMI1/ARC HDMI2 VGA PC  
AUDIO IN RF

**COAX:** יציאה של צליל טלוויזיה דיגיטאלי.

**HDMI:** (ממשק מולטימדיה בהגדרה גבוהה) מספק חיבור דיגיטלי לא דחוס.

**VGA:** מאפשר חיבור של מחשב ה-PC לשקעים אלו.

**PC AUDIO IN:** מאפשר חיבור של פלט השמע של מחשב ה-PC.

**RF:** מאפשר חיבור במטרה לקלוט את האות מהאנטנה שלכם או מהכבל שלכם באמצעות כבל קוואקסיאלי.

**Y/Pb/Pr:** מאפשר חיבור של מכשיר הכולל שקעי וידיאו, כגון נגן די וי די.

**CVBS:** מאפשר חיבור של מכשיר AV הכולל שקעי וידיאו מרוכבים, כגון נגן VCR או נגן DVD.

**L:** חיבור לערוץ השמע השמאלי. מחבר השמע השמאלי בדרך כלל לבן.

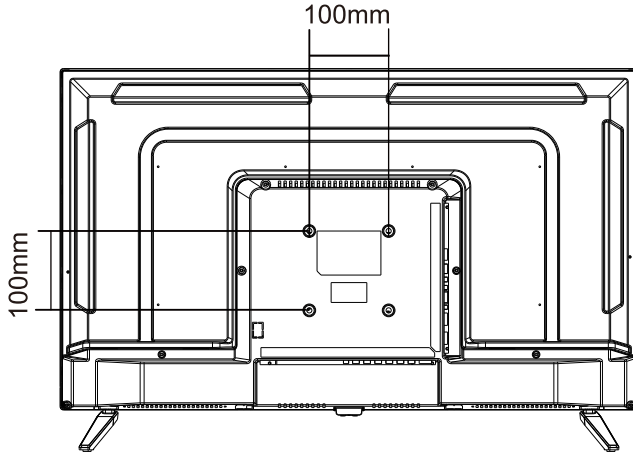
**R:** חיבור לערוץ השמע הימני: מחבר השמע הימני בדרך כלל אדום.

**USB:** לחיבור רכיב USB כגון דיסק און קי במטרה להשיג גישה לפונקציית המדיה של הטלוויזיה.

**Earphone:** חיבור אוזניות תקע 3.5 מ"מ לשמיעה אישית.

## התקנה על קיר (במידה וקיימת אפשרות זו)

ממדי היחידה (יחידה: מ"מ)	ברגים
VESA 100 X 100	4 ברגים 6 X M4 מ"מ
שימו לב: אורך הבורג המצוין כאם מהווה המלצה בלבד: האורך הנדרש בפועל יכול להשתנות בהתאם לסוג מתקן הקיר בו נעשה שימוש.	



### אזהרות:

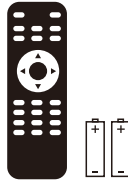
1. אין להרכיב את ההתקן על הקיר בעצמכם. אנא צרו קשר עם אנשי מקצוע מוסמכים להתקנה.
2. אין להרכיב את הטלוויזיה על קירות או על משטחים עם זווית של יותר מ-10 מעלות בכיוון האנכי. אחרת הטלוויזיה עשויה ליפול.
3. הקירות עליהם מתכננים לבצע את ההתקנה צריכים להיות חזקים מספיק על מנת לשאת את המשקל הכולל של מערכת הטלוויזיה. לדוגמא, קיר בטון וקיר לבנים מתאימים. אין למקם את ההתקן על גבי קירות רכים כגון קירות אדמה וגבס.
4. במידה ונעשה שימוש בחלקי חילוף שונים מאלו המצוינים במפרט הטכני (כגון ברגים) במהלך ההרכבה, היוועצו עם אנשי מקצוע מוסמכים על מנת לוודא כי חלקים אלו בטוחים ויעילים.
5. טרם חיבור הבסיס לקיר, וודאו כי חריצי העיגון תואמים לחוקי ההתקנה. אחרת יתכנו מספר בעיות פוטנציאליות.
6. אין למקם שום מקור חימום מתחת לטלוויזיה שלכם. אחרת הדבר עלול לגרום להתלקחות.
7. אין למקם את הטלוויזיה בקרבת דברים מטפטפים. יש להרחיק מתמרים וחוטי חשמל המכילים מתח חשמלי גבוה גם כן מהמכשיר. אחרת, הדבר עשוי לגרום לבידוד חשמלי, להתחשמלות או לתהודה לא טובה.
8. אין למקם את הטלוויזיה במקום שבו סביר להניח שתקרה התנגשות או רטט.
9. על מנת למנוע נפילה בלתי צפויה של מערכת הטלוויזיה, אין להפעיל כוח חזק על הטלוויזיה או על המתקן שבשיר לאחר ההתקנה.
10. וודאו לנתק את הטלוויזיה טרם ההתקנה. הרחיקו כל דבר קשה או חד מלוח המסך וזאת על מנת למנוע שחיקה.
11. לאחר ההתקנה, במידה ועולה צורך כלשהו להזיז את הארונות, אנא צרו קשר עם אנשי מקצוע מוסמכים.

## בדיקת אביזרים

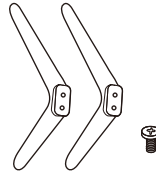
בדקו את האביזרים הארוזים יחד עם הטלוויזיה שלכם.



טלוויזיה LED



שלט רחוק וסוללות



בסיס מעמד  
לטלוויזיה + 4  
ברגים

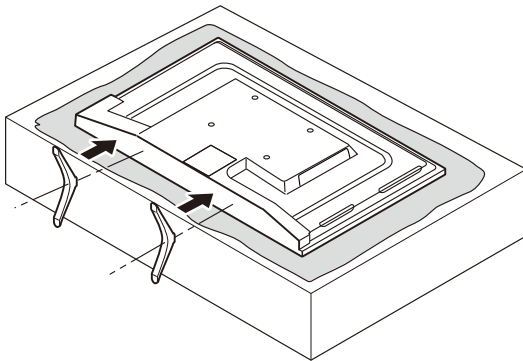


מדריך למשתמש  
+  
תעודת אחריות

## מדריך להתקנת מעמד

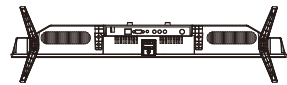
הטלוויזיה ארוזה עם מעמד לטלוויזיה הנפרד מהארונית. להתקנת מעמד שולחן הטלוויזיה, אנא בצעו את ההתקנה בהתאם להוראות המצוינות להלן.

1. ניתן לשרוט את הלוח בקלות, לכן אנא:  
הניחו מטלית רכה על השולחן ומקמו את הטלוויזיה עם הפנים כלפי מטה על המטלית.  
שימו לב: תמיד נתקו את כבל ה-AC ראשית בעת התקנה/הסרה של המעמד.
2. קחו את הבסיס. אנא יישרו את חורי הבורג של הבסיס ושל הטלוויזיה, ולאחר מכן הכניסו את הברגים לתוך החריצים שבבסיס וחזקו אותם.  
שימו לב: על מנת להבטיח שהטלוויזיה יציבה, אנא נעלו את כל הברגים.



(האיור נועד לעיון בלבד)

אנא שימו לב לכיוון הבסיס:



המראה התחתון של הטלוויזיה  
(הפאנל הקדמי פונה כלפי מטה)



## הוראות בטיחות חשובות

1. קראו הוראות אלו.
2. שמרו הוראות אלו אצלכם.
3. שימו לב לכל האזהרות.
4. נהגו על פי כל ההוראות.
5. אין להשתמש במכשיר זה בקרבת מים. לדוגמא, אין לעשות שימוש במכשיר זה קרוב לאמבט כביסה, במרתף רטוב או בקרבת שחייה ומקומות דומים אחרים.
6. נקו בעזרת מטלית יבשה בלבד.
7. אין לחסום את פתחי האוויר. התקינו את המוצר בהתאם להוראות היצרן. חריצים ופתחים בחלק האחורי או התחתון של הארונות מסופקים לשם אוורור, במטרה להבטיח תפעול מהימן של הטלוויזיה ועל מנת להגן עליה מפני התחממות יתר. אין לחסום או לכסות פתחים אלו. לעולם אין לחסום את הפתחים באמצעות מיקום הטלוויזיה על מיטה, ספה, שטיח או משטח דומה אחר.
8. אין להתקין את המכשיר בקרבת מקורות חום מכל סוג שהוא כגון מקרני חום, תנורי חימום, כיריים או מכשירי אחר (לרבות מגברים) המייצרים חום.
9. אין לסכל את מטרת הבטיחות של התקע המקוטב או המאריק. תקע חשמלי מקוטב כולל 2 להבים כשאחד מהם רחב יותר מהשני. תקע חשמלי מאריק כולל שני להבים ושן הארקה נוספת. הלהב הרחב או השן השלישית מסופקים למען הבטיחות שלכם. במידה ותקע החשמל המסופק לכם אינו נכנס לשקע החשמל שלכם, היוועצו עם חשמלאי להחלפת שקע החשמל המיושן.
10. הגנו על כבל החשמל מפני דריכה עליו או צביטה שלו במיוחד במקומי התקעים, השקעים והנקודה שבה הם יוצאים מהמכשיר.
11. השתמשו רק בחיבורים / אבזרים המצוינים על ידי היצרן.
12. השתמשו במכשיר רק עם עגלה, מעמד, חצובה, משען או שולחן המצוינים על ידי היצרן, או הנמכרים ביחד עם המכשיר. בעת השימוש בעגלה, נקטו זהירות בעת הזזת שילוב העגלה / המכשיר וזאת על מנת למנוע פגיעה כתוצאה ממעידה. את השילוב בין הטלוויזיה לעגלה יש להזיז בזהירות. עצירות מהירות, כוח מוגזם ומשטחים לא ישרים עשויים לגרום לשילוב של הטלוויזיה והעגלה להתפרץ.
13. נתקו מכשיר זה במהלך סופות ברקים או כאשר אינו בשימוש למשך פרקי זמן ארוכים. להגנה נוספת עבור מקלט טלוויזיה זה במהלך סופת ברקים, או כאשר משאירים אותו ללא שימוש למשך פרקי זמן ארוכים, נתקו אותו משקע החשמל ונתקו את האנטנה או את מערכת הכבלים. פעולה זו תמנע נזק לטלוויזיה כתוצאה מברק ועליות וירידות במתח ווי החשמל.
14. הפנו את כל שירות התיקונים לצוות שירות מוסמך. שירות תיקונים נדרש כאשר המכשיר נפגע בכל דרך שהיא, כגון כבל חשמל או תקע חשמל פגומים, נוזל שנשפך או חפצים שנפלד לתוך המכשיר, המכשיר נחשף לגשם או ללחות, אינו פועל בצורה תקינה או הופל.
15. יש להפעיל טלוויזיה זו רק בעזרת סוג אספקת החשמל המצוין על גבי לוחית המדרוג. במידה ואינכם בטוחים לגבי סוג אספקת החשמל בביתכם, היוועצו עם ספק המכשיר שלכם או עם חברת החשמל המקומית שלכם. עבור הספק הסוללה של השלט הרחוק שלכם, עיינו בהוראות ההפעלה.
16. אין לחשוף את מערכת הטלוויזיה לטפטופים או להתזות מים. אין להניח חפצים מלאים בנוזלים, כגון אגרטלים, על גבי מערכת הטלוויזיה.
17. לעולם אין לדחוף חפצים מכל סוג שהוא לתוך טלוויזיה זו דרך הפתחים כיוון שאלו עשויים לגעת במתח חשמלי מסוכן או בחלקים חשמליים אחרים דבר שעלול לגרום להתלקחות או להתחשמלות כתוצאה מכך. לעולם אין לשפוך נוזל מכל סוג שהוא לתוך הטלוויזיה.
18. נתקו את הטלוויזיה משקע החשמל שבקיר טרם ניקויה. אין לעשות שימוש בנוזל או בתכשירי ניקוי. השתמשו במטלית לחה לניקוי.
19. לעולם אין למקם טלוויזיה זו קרוב או מעל רדיאטור או מקור חום אחר. אין למקם טלוויזיה זו בהתקן מובנה כגון ארונות ספרים או כוננית אלא אם כן קיים אוורור מספיק טוב או שנהגתם על פי הוראות היצרן.
20. אין למקם טלוויזיה זו על גבי עגלה לא יציבה, מעמד, חצובה, משען או שולחן לא יציבים. הטלוויזיה עשויה ליפול ולגרום לפגיעה חמורה למישהו ולנזק חמור למכשיר.
21. אין לנסות ולתקן טלוויזיה זו בעצמכם מכיוון שפתיחה או הסרת מכסים עשויים לחשוף אתכם למתח חשמלי גבוה מסוכן או לסכנות אחרות. הפנו את כל עבודות התיקון לצוות שירות מוסמך.
22. אנא נקטו באמצעים של מניעת חשמל סטטי והגנה על לוח הבקרה לפני האוברול, מנעו נזק ללוח הבקרה ולרכיבים הרגישים של הלוח הראשי, לדוגמא IC וכו'.
23. אזהרה: למניעת פגיעה, יש לחבר מכשיר זה בבטחה לרצפה / לקיר בהתאם להוראות ההתקנה.

	<b>זהירות</b> <b>סכנה להתחשמלות</b> <b>נא לא לפתוח</b>	
זהירות: לצמצום סכנת ההתחשמלות, אין להוציא את הכיסוי או את החלק האחורי. לא קיימים חלקים שימושיים למשתמש בתוך המוצר. פנו לצוות שירות תיקונים מוסמך בלבד.		
<p>סמל הברק עם ראש החץ בתוך משולש שווה צלעות נועד להתריע בפני המשתמש על קיומו של מתח חשמלי מסוכן לא מבודד בתוך מעטפת המוצר אשר עשוי להיות גדול מספיק על מנת לגרום להתחשמלות.</p>	<p>סימן הקריאה בתוך משולש שווה צלעות נועד להתריע בפני המשתמש מפני קיומן של הוראות הפעלה ותחזוקה החוברת הנלווית לטלוויזיה.</p>	

אזהרה: לצמצום סכנת ההתלקחות או ההתחשמלות, אין לחשוף מכשיר זה לגשם או ללחות. זהירות: שינויים או התאמות שלא אושרו בצורה ברורה על ידי הצד האחראי לתאימות לחוקי ה-FCC עלולים למנוע את מכונתם של המשתמשים להפעיל ציוד זה.

**אזהרת בטיחות**

טרם הפעלת היחידה, אנא קראו מדריך זה ביוסודיות.

**מיקום**

- אין למקם את היחידה על עגלה לא יציבה, מעמד, חצובה, משען, שולחן או מדף לא יציבים.
- אין לחשוף את היחידה לאור שמש ישיר ולמקורות חום אחרים.
- אין לעשות שימוש בנזלים מכל סוג שהוא בקרבת או על היחידה.
- לעולם אין לשפוך נוזל מכל סוג שהוא לתוך היחידה.
- אין למקם את היחידה בקרבת מכשירים המייצרים שדות מגנטיים.
- אין להניח חפצים כבדים על גבי היחידה.

**מפרטורה**

- אין למקם את היחידה קרוב או מעל הרדיאטור או על יד תנור חימום.
- במידה והיחידה שלכם מועברת בפתאומיות ממקום קר למקום חם, נתקן את כבל החשמל במשך לכל הפחות שעתיים כך שהלחות שיתכן והצטברה בחלק הפנימי של היחידה תוכל להתייבש לחלוטין.

**לחות**

- אין לחשוף את המוצר לגשם, ללחות או למקם אותה קרוב למים.
- וודאו לייבש את המוצר במקום סגור וקריר.

**אורור**

- שמרו על פתחי אורור ללא חסימות.
- **אזהרה** (ישים עבוד דגמים מעל 7 ק"ג).
- לעולם אין למקם את מערכת הטלוויזיה במקום לא יציב. מערכת טלוויזיה עשויה ליפול, ולגרום לפגיעה אישית חמורה או למוות.
- פגיעות רבות, במיוחד אצל ילדים, ניתנות למניעה באמצעות נקיטת אמצעי זהירות פשוטים כגון:
  - שימוש בארונות או במעמדים המומלצים על ידי יצרן מערכת הטלוויזיה.
  - שימוש ברהיטים המסוגלים לתמוך בבטחה במערכת הטלוויזיה בלבד.
  - וודאו כי מערכת הטלוויזיה אינה נתלית בצורה בולטת מעל קצה הרהיט התומך.
  - אין למקם את מערכת הטלוויזיה על רהיט גבוה (לדוגמא, מזנונים או מדפי ספרים) מבלי לעגן הן את הרהיט ואת מערכת הטלוויזיה לתומך מתאים.
  - אין למקם את מערכת הטלוויזיה על גבי מטלית או חומרים אחרים שעשויים להיות ממוקמים בין מערכת הטלוויזיה לבין הרהיט התומך.
  - ללמד את הילדים אודות סכנות הטיפוס על הרהיט במטרה להגיע למערכת הטלוויזיה או ללחצני הבקרה שלה. במידה ומערכת הטלוויזיה הקיימת מוחזקת וממוקמת מחדש במקום אחר, יש להפעיל את אותם שיקולים המצוינים לעיל.

## תוכן העניינים

1	אזהרת בטיחות
2	הוראות בטיחות חשובות
3	הכנה לטלויזיה החדשה שלכם
3	בדיקת אבזרים
3	מדריך להתקנת מעמד
4	מפרט טכני לכן ההרכבה על הקיר
5	הסבר על שקעי הטלויזיה
6	תרשים חיצוני לחיבור מכשיר
7	מקלדת צדדית ולוח קדמי
7	לוח קדמי
8	הוראות המתקשרות לשלט הרחוק
8	הכנסת סוללות לתוך השלט הרחוק
8	זווית קליטה של השלט הרחוק
9	למידה אודות השלט הרחוק
9	לחצני השלט הרחוק
10	פעולות בסיסיות
10	הפעלה וכיבוי
10	בחירת מקור קלט
10	כוונון מסך ה- OSD
11	פעולות של תפריט ה- OSD
11	הגדרת תפריט
12	הפעלת טלויזיה חכמה
12	הפעלת מדיה
13	איתור תקלות ופתרון בעיות
13	זיהוי בעיות
14	מפרטים טכניים

---

\* התמונות, הפונקציות ומידע אחר המופיעים במדריך הם עבור הפניה בלבד. אם הוא אינו תואם את האובייקט בפועל, עיין המוצר בפועל.

---

## הוראות בטיחות כלליות למכשירי חשמל

### מיקום:

- אין להשתמש במכשיר זה בקרבת מים.
- אם פתיל הזינה ניזוק, כדי להימנע מסכנה, החלפתו תיעשה על ידי היצרן, ע"י סוכן השירות שלו או על ידי אדם מוסמך אחר.
- מקמו את המוצר במקום יבש הרחק ממקורות מים או מקום לח.
- יש למקם את המכשיר הרחק ממקורות חום (תנורי חימום, רדיאטורים וכו').
- יש להציב את המכשיר על משטח מאוזן.
- יש לאפשר מרווח מספיק לצורך אוורור המכשיר - אין לכסות את פתחי האוורור.

### מתח החשמל:

- ודאו שמתח הרשת (230 וולט) מתאים למתח ההפעלה שמצוין על גבי המכשיר.

### זהירות:

- המכשיר מיועד לשימוש ביתי בלבד, לא לשימוש ציבורי וכו'.
- אין למשוך את התקע מהשקע ע"י משיכה בחוט החשמל.
- יש לוודא שכבל החשמל והתקע שלמים ותקינים. לתיקון פגמים יש לפנות לחשמלאי מוסמך.
- אל תאפשר לילדים להשתמש במוצר ללא פיקוח.
- יש לחבר את המכשיר אל שקע תקני בו יש חיבור הארקה תקני.
- יש לאפשר גישה נוחה לניתוק כבל הזינה משקע החשמל בקיר.
- כאשר לא מתכוונים להשתמש במכשיר לפרק זמן ארוך יש לנתקו מרשת החשמל.
- אין לפתוח את מכסה המכשיר, אם ישנה בעיה בפעולתו התקינה של המכשיר יש לפנות למעבדת השירות.
- אל תניחו על המכשיר כל כלי שמכיל מים או נוזלים אחרים. במקרה של חדירת מים למכשיר יש להפסיק את זרם החשמל לשקע (הורדת הנתיך מארון החשמל), לנתקו מרשת החשמל ולהביאו אל תחנת השירות הקרובה למקום מגוריכם.
- אין להחדיר למכשיר חפצים כלשהם, כניסה של חפצים זרים עלולה לגרום להתחשמלות.
- במקרה של חדירת חפץ כלשהו יש לנתק את המכשיר מרשת החשמל ולהביאו אל תחנת השירות הקרובה למקום מגוריכם.

### תופעות חריגות:

- במקרה של ריח או רעשים שמגיעים מהמכשיר, יש לנתק את המכשיר מרשת החשמל ולפנות למחלקת השירות.

### ניקוי:

- לפני ניקוי המכשיר יש לנתקו מרשת החשמל. אל תשתמשו בחומרים נדיפים כמו אלכוהול או בנזין.
- ניקוי המכשיר יעשה על ידי מטלית יבשה בלבד.

### תיקונים ושירות:

- יתבצעו על ידי מעבדת שירות מוסמכת.

# ***NORMANDE***

---

טלוויזיה LED הדרכה הפעלה



מודל : NTV 3400

**HDMI**<sup>®</sup>  
HIGH-DEFINITION MULTIMEDIA INTERFACE

הוראות הפעלה  
אנא קראו הוראות אלו בעיון רב לפני השימוש